



SUBMITTED MODEL NO.

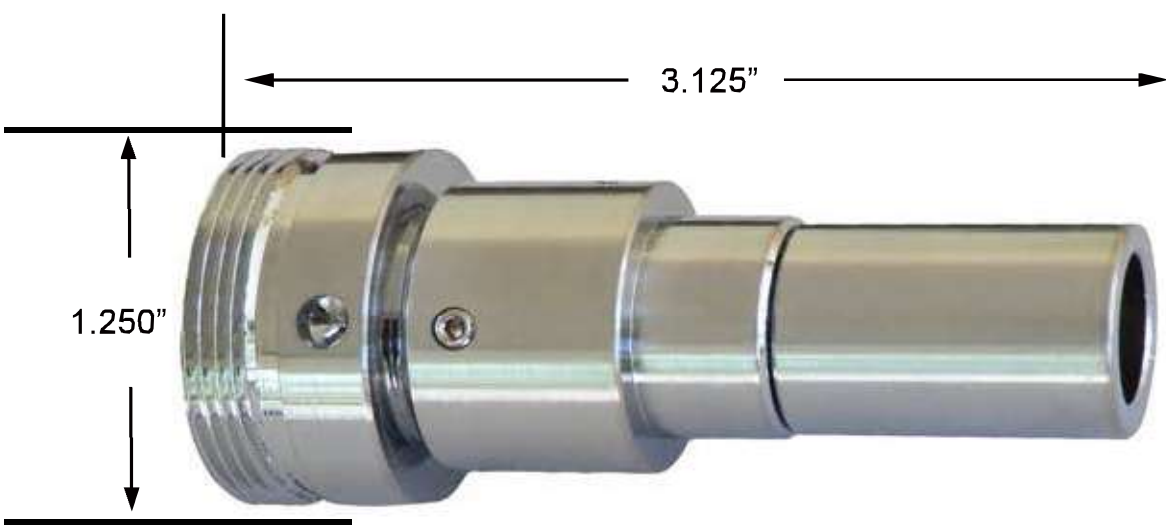
FCS-100-VRM12518NS-1.8

JOB NAME

ITEM NO.

SUBMITTED AS SHOWN

SUBMITTED AS NOTED



DIMENSIONS IN INCHES

**Specifications**

SPECIFICATION MANUAL

- ① FCS™ Patented Stainless Steel Non-Clogging Nozzle
- ② Max Flow Rate 1.8 gpm from 30-80 psi
- ③ Threads: 1.25"-18 NPS Male
- ④ All Metal Construction; Brass and Stainless Steel; Chrome Plated
- ⑤ For use in Symmons 4-295
- ⑥ Set Screw: 1/16" Hex Stainless Steel
- ⑦ Installation: Use 3/16" Spanner Wrench
- ⑧ Certifications: A112.18.1 and WaterSense

This document was created with Win2PDF available at <http://www.win2pdf.com>.  
The unregistered version of Win2PDF is for evaluation or non-commercial use only.  
This page will not be added after purchasing Win2PDF.