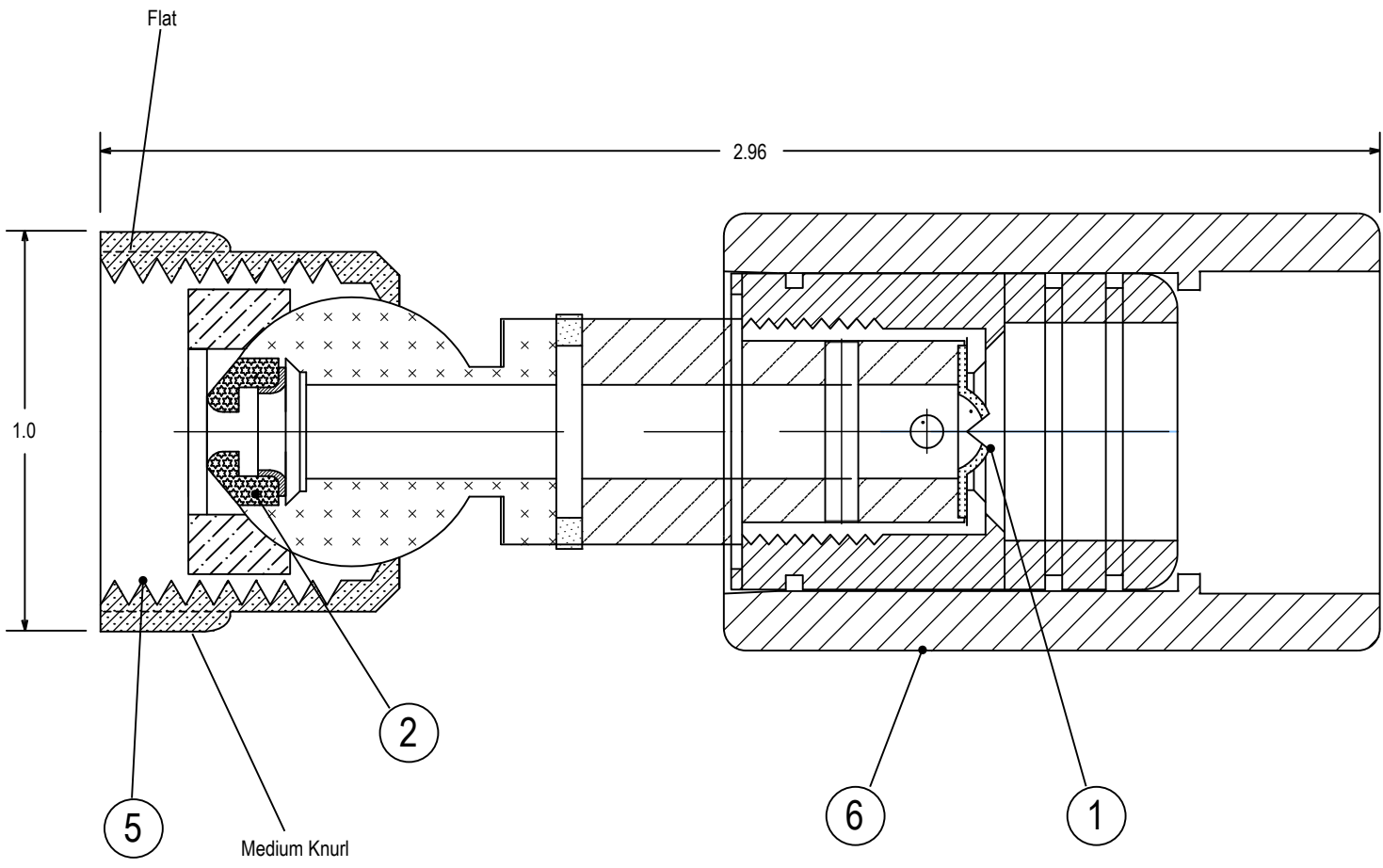


JOB NAME

ITEM NO.

SUBMITTED AS SHOWN	
SUBMITTED AS NOTED	
SEE ATTACHED FOR SUBMITTED MODIFICATION	



DIMENSIONS IN INCHES

TECHNICAL DATA

SPECIFICATION MANUAL

- | | |
|--|--------------------------|
| ① FCS™ Patented Nozzle | ④ 1.5gpm @ 30 - 80psi |
| ② 1.5 gpm Accu-Flo™ Pressure Regulator | ⑤ Threads: 1/2" NPT |
| ③ Polished Chrome Finish | ⑥ ABS Opti-Spray™ Sleeve |