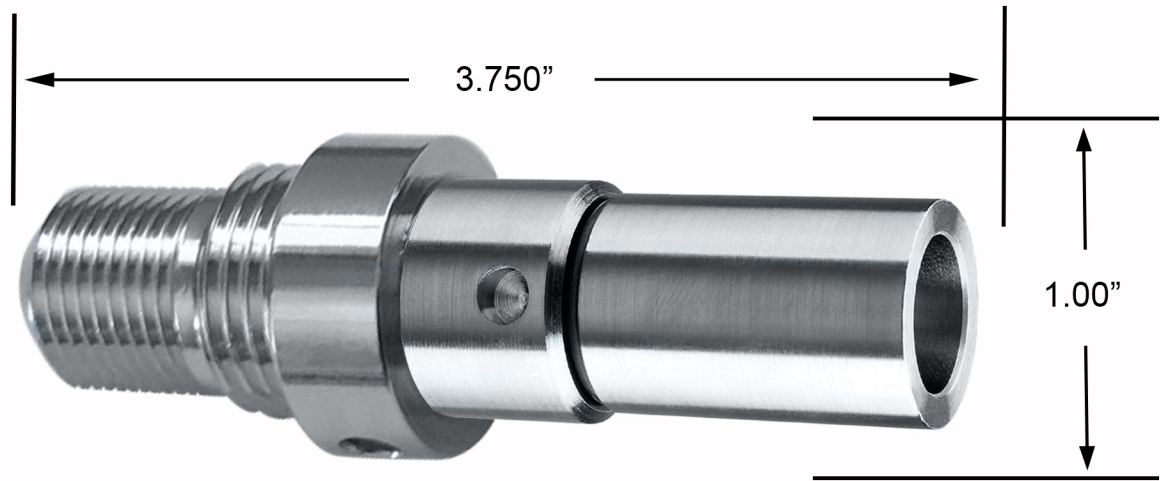


JOB NAME	ITEM NO.
----------	----------

SUBMITTED AS SHOWN	
SUBMITTED AS NOTED	



DIMENSIONS IN INCHES

Specifications	SPECIFICATION MANUAL
<ul style="list-style-type: none"> ① FCS™ Patented Stainless Steel Non-Clogging Nozzle ② Max Flow Rate 1.8 gpm from 30-80 psi ③ Threads: 3/4"-16 Male and 7/8"-14 Male ④ All Metal Construction; Brass and Stainless Steel; Chrome Plated ⑤ Non-Swivel; Ligature Resistant ⑥ Replaces Bradley S24-O72 ⑦ Installation: Use 3/16" Spanner Wrench ⑧ Compliant with Buy American Act (BAA) & Made in USA ⑨ Certifications: A112.18.1 and WaterSense 	