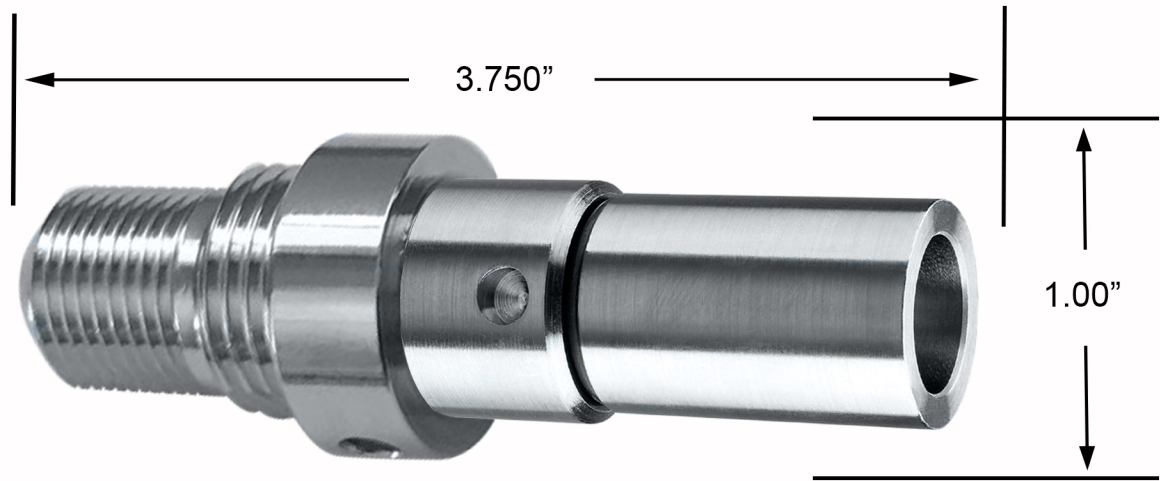


JOB NAME	ITEM NO.
----------	----------

SUBMITTED AS SHOWN	
SUBMITTED AS NOTED	



DIMENSIONS IN INCHES

Specifications	SPECIFICATION MANUAL
<ul style="list-style-type: none"> <li>① FCS™ Patented Stainless Steel Non-Clogging Nozzle</li> <li>② Max Flow Rate 2.0 gpm from 30-80 psi</li> <li>③ Threads: 3/4"-16 Male and 7/8"-14 Male</li> <li>④ All Metal Construction; Brass and Stainless Steel; Chrome Plated</li> <li>⑤ Non-Swivel; Ligature Resistant</li> <li>⑥ Replaces Bradley S24-O72</li> <li>⑦ Installation: Use 3/16" Spanner Wrench</li> <li>⑧ Compliant with Buy American Act (BAA) &amp; Made in USA</li> </ul>	