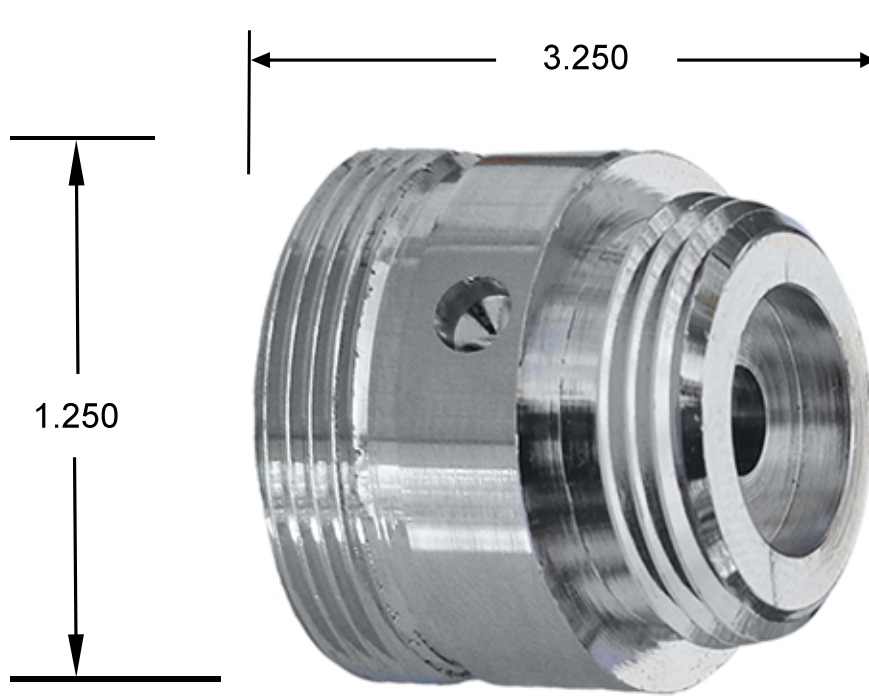


ITEM NAME **Retrofits Symmons 4-295 Adapter**

CHROME FINISH



*DIMENSIONS IN INCHES

SPECIFICATIONS

NOTES

- ① Threads: 1.25"-18 NPS Male x 1/2"-14 NPS Male
- ② All Metal Construction; Brass and Stainless Steel; Chrome Plated
- ③ For use in Symmons 4-295
- ④ Compliant with Buy American Act & Made in USA