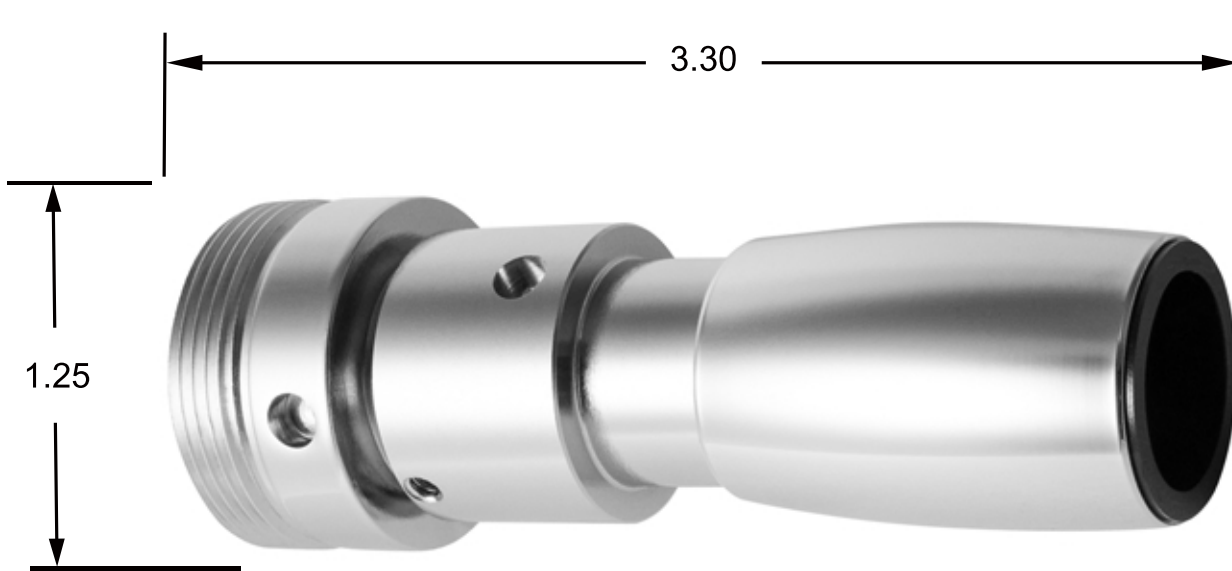


SUBMITTED MODEL NO.
FCS-100-SYMNSCH-1.25
<b>CHROME FINISH</b>

JOB NAME	ITEM	Retrofits Symmons 4-295 with 1.25 inch-18 NPS Male Threads
----------	------	--

SUBMITTED AS SHOWN	
SUBMITTED AS NOTED	



\*DIMENSIONS IN INCHES

SPECIFICATIONS	NOTES
<ul style="list-style-type: none"> <li>① FCS™ Patented Stainless Steel Single Non-Clogging Nozzle. Non-Swivel Body.</li> <li>② Non-Clogging Silicone Flow Control Diaphragm 1.25 GPM at 30-80 psi. Pressure Compensating.</li> <li>③ Threads: 1.25"-18 NPS Male.</li> <li>④ Solid Metal Construction; Brass and Stainless Steel. Fully Drains After Each Use. Naturally Antibacterial. Chrome Plated. Wt: .50 lbs.</li> <li>⑤ Connects to Symmons 4-295 Wall Receiver.</li> <li>⑥ Vandal Resistant Set Screws: 1/16" Hex Stainless Steel.</li> <li>⑦ Certifications: A112.18.1, and WaterSense. California Compliant.</li> <li>⑧ Compliant with Buy American Act (BAA). U.S. Patent 7,185,830 B2 and Patent Pending.</li> </ul>	<p>Installation: Use Spanner Wrench with 3/16" pin.</p> <p>Includes limescale resistance insert. Insert protects metal from limescale buildup, corrosion, and makes cleaning the shower head easier.</p>