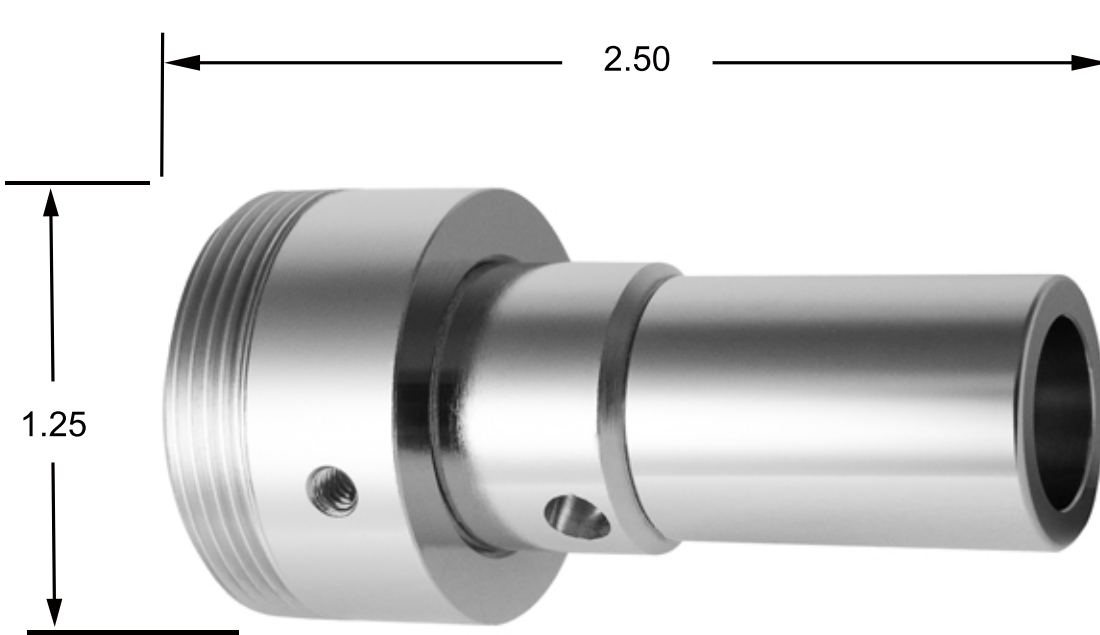


SUBMITTED MODEL NO.
FCS-100-VRMCHATHNS-1.25
CHROME FINISH

JOB NAME	ITEM	Retrofits Chatham 21SA/31SA with 1.25 inch-20 UNF Male Threads
----------	------	--

SUBMITTED AS SHOWN	
SUBMITTED AS NOTED	



*DIMENSIONS IN INCHES

SPECIFICATIONS	NOTES
<ul style="list-style-type: none"> ① FCS™ Patented Stainless Steel Single Non-Clogging Nozzle. Non-Swivel Body. ② Non-Clogging Silicone Flow Control Diaphragm 1.25 GPM at 30-80 psi. Pressure Compensating. ③ Threads: 1.25"-20 UNF Male. ④ All Metal Construction; Brass and Stainless Steel. Fully Drains After Each Use. Naturally Antibacterial. Chrome Plated. Wt: .40 lbs. ⑤ Retrofits Chatham 21SA/31SA & Other Receivers Requiring 1.25"-20 UNF Male Threads. ⑥ Vandal and Ligature Resistant Set Screws: 1/16" Hex Stainless Steel. ⑦ Certifications: A112.18.1, and WaterSense. California Compliant. ⑧ Compliant with Buy American Act (BAA). U.S. Patent 7,185,830 B2 and Patent Pending. 	<p>Installation: Use Spanner Wrench with 3/16" pin.</p>