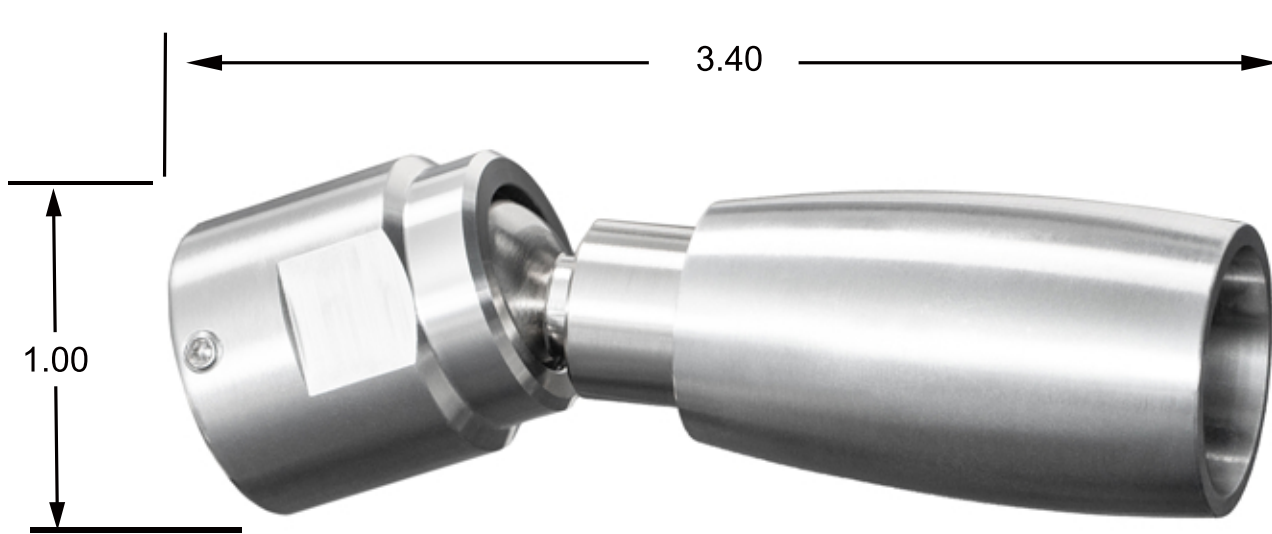


JOB NAME	ITEM	All Metal Vandal Resistant STEELHEAD™ Shower Head
----------	------	--

SUBMITTED AS SHOWN	
SUBMITTED AS NOTED	



*DIMENSIONS IN INCHES

SPECIFICATIONS	NOTES
<ul style="list-style-type: none"> ① FCS™ Patented STAINLESS STEEL Single NON-CLOGGING Nozzle with Ball-Joint Swivel. ② NON-CLOGGING Silicone Flow Control Diaphragm 1.25 GPM at 30-80 psi (Pressure Compensating). ③ All Metal Construction; LEAD-FREE Brass and 316 STAINLESS STEEL. Fully Drains After Each Use. Naturally Antibacterial. ④ Threads: 1/2"-14NPS Female. Finish: Brushed. Wt: .4 lbs. ⑤ Connects to Shower Arms with 1/2" NPS or NPT Male Threads size. ⑥ Certifications: A112.18.1, and WaterSense. CALIFORNIA COMPLIANT. ⑦ Compliant with Buy American Act (BAA) and Build America, Buy America (BABA). U.S. Patent 7,185,830 B2, D1112615 and Patent Pending. 	<p>Vandal Resistant Set Screws: 1/16" Hex STAINLESS STEEL.</p>