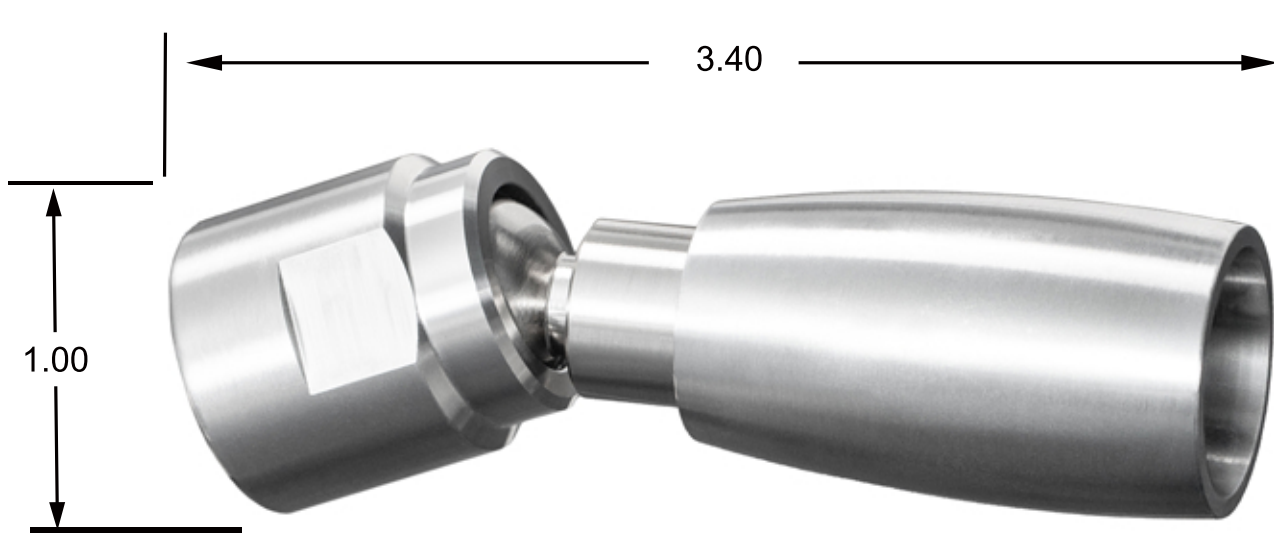


SUBMITTED MODEL NO.
FCS-100LN-ST-1.25
<b>BRUSHED FINISH</b>

JOB NAME	ITEM	STEELHEAD™ Fixed Shower Head w/ Long Nut
----------	------	--

SUBMITTED AS SHOWN	
SUBMITTED AS NOTED	



\*DIMENSIONS IN INCHES

SPECIFICATIONS	NOTES
<ul style="list-style-type: none"> <li>① FCS™ Patented <b>STAINLESS STEEL</b> Single <b>NON-CLOGGING</b> Nozzle with Ball-Joint Swivel.</li> <li>② <b>NON-CLOGGING</b> Silicone Flow Control Diaphragm 1.25 GPM at 30-80 psi (Pressure Compensating).</li> <li>③ All Metal Construction; <b>LEAD-FREE</b> Brass and <b>316 STAINLESS STEEL</b>. Fully Drains After Each Use. Naturally Antibacterial.</li> <li>④ Threads: 1/2"-14NPS Female. Finish: Brushed. Wt: .4 lbs.</li> <li>⑤ Use only on standard shower arms (tubing with 1/2" - 14NPS or NPT Male Threads size).</li> <li>⑥ Certifications: A112.18.1, and WaterSense. <b>CALIFORNIA COMPLIANT</b>.</li> <li>⑦ Compliant with Buy American Act (<b>BAA</b>) and Build America, Buy America (<b>BABA</b>). U.S. Patent 7,185,830 B2, D1112615 and Patent Pending.</li> </ul>	